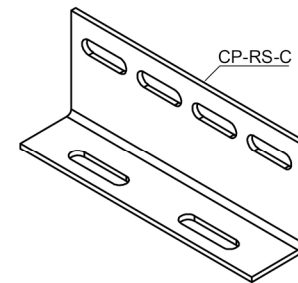
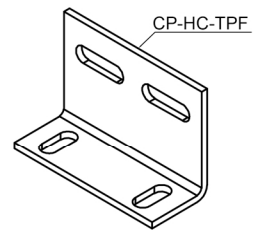
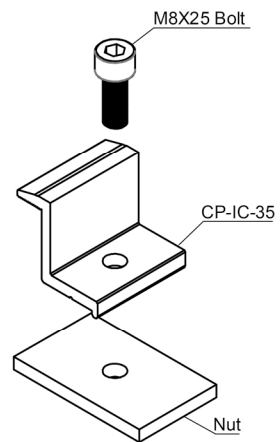
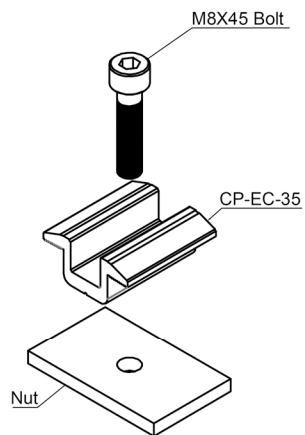
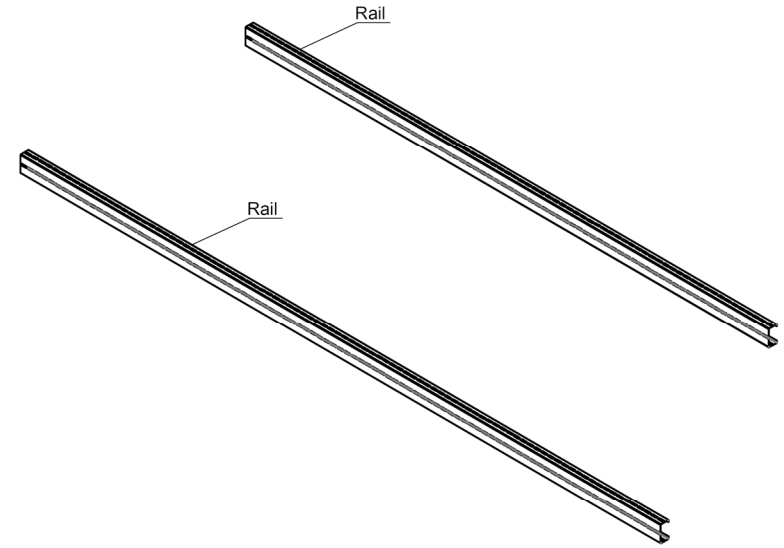
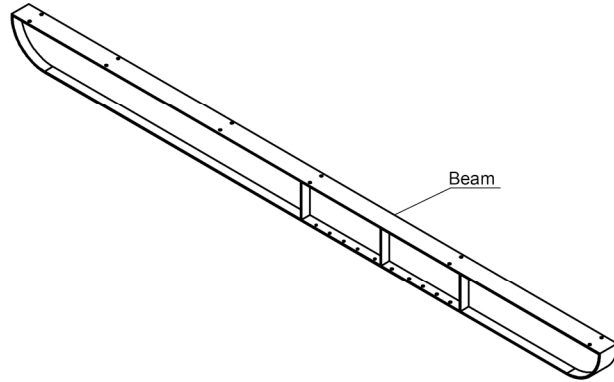
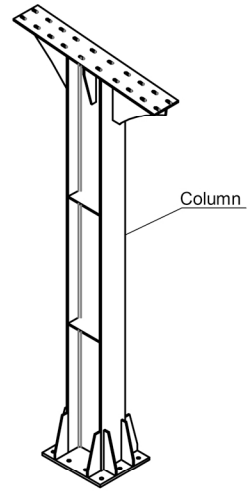


# Solar bracket assembly



**CORIGY**  
Create Re-Energy

科锐欧(厦门)新能源科技有限公司  
xiamen corigy new energy technology CO.,LTD.  
TEL: 0592-6883200 E-mail: sales@corigy.com

4

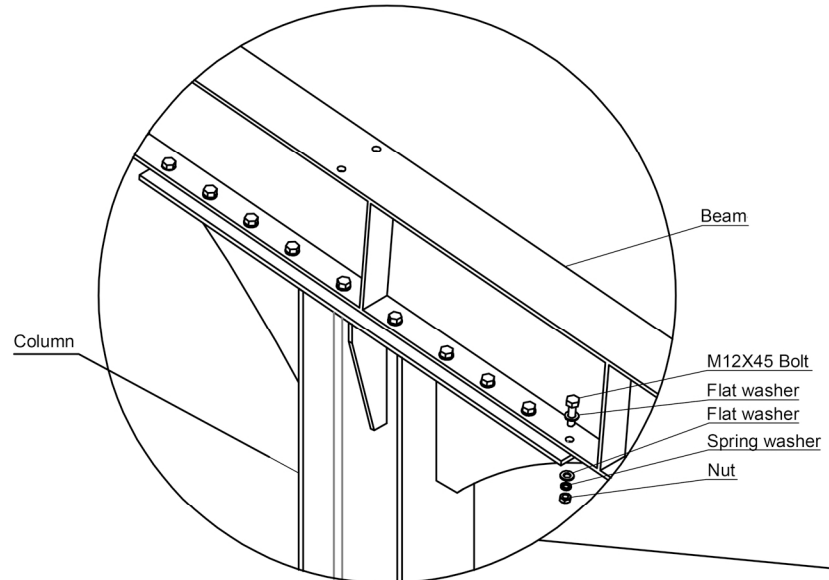
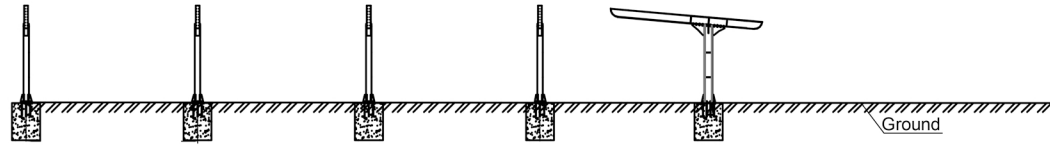
3

2

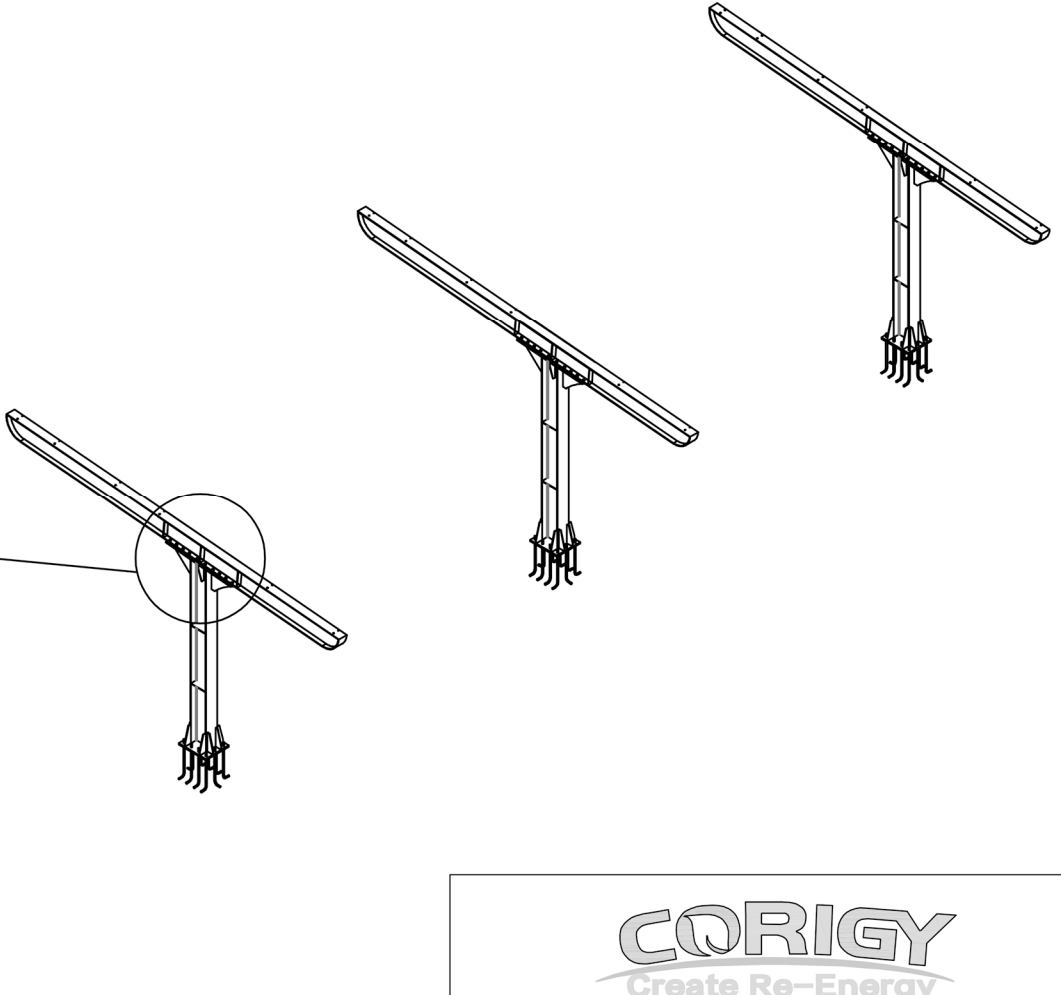
1

2

# Install columns and beams



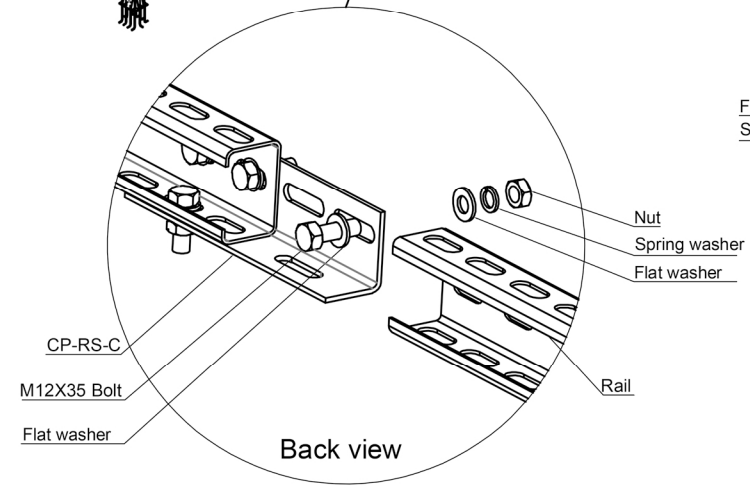
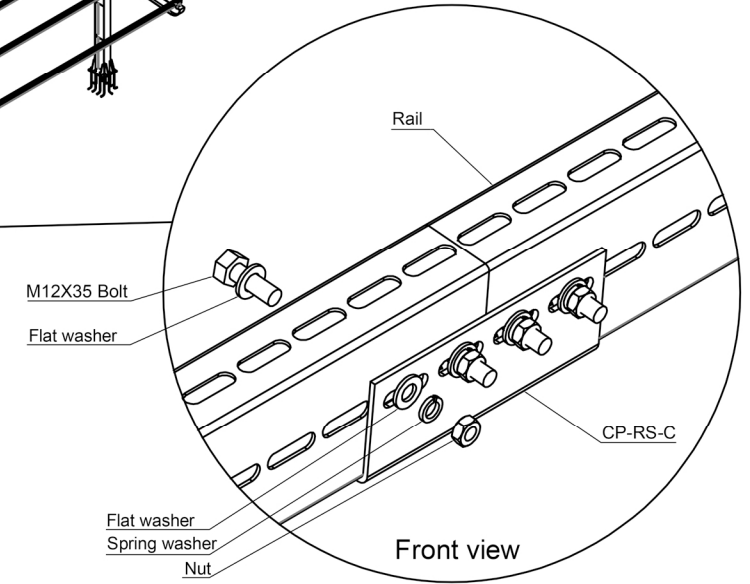
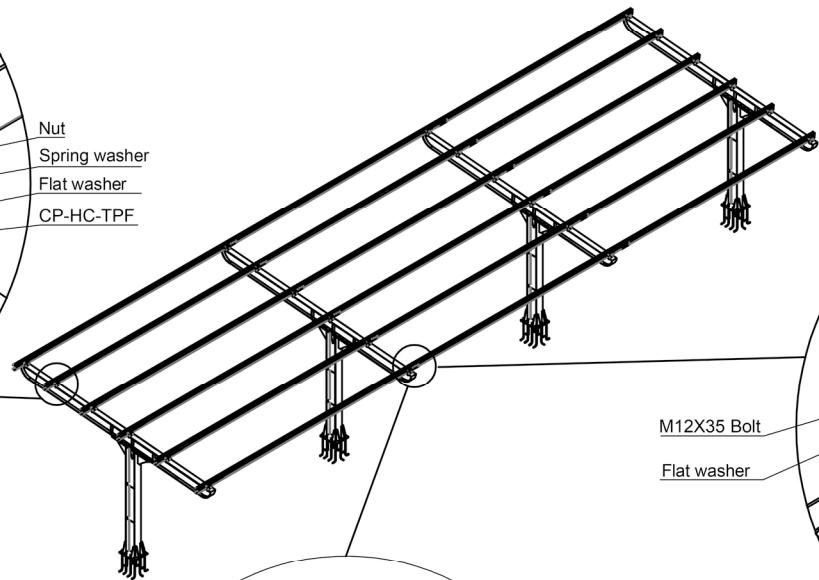
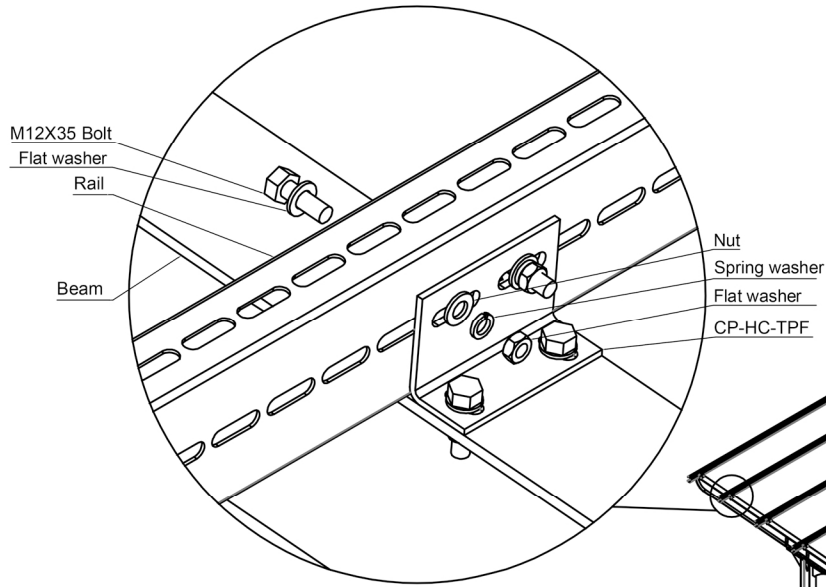
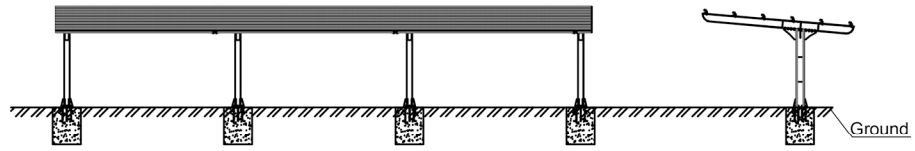
- M12X45 Bolt
- Flat washer
- Flat washer
- Spring washer
- Nut



科锐欧(厦门)新能源科技有限公司  
 xiamen corigy new energy technology CO.,LTD.  
 TEL: 0592-6883200 E-mail: sales@corigy.com

# Install the rail on the beam

3



科锐欧(厦门)新能源科技有限公司  
 xiamen corigy new energy technology CO.,LTD.  
 TEL: 0592-6883200 E-mail: sales@corigy.com

4

3

2

1

4

3

2

1

D

D

C

C

B

B

A

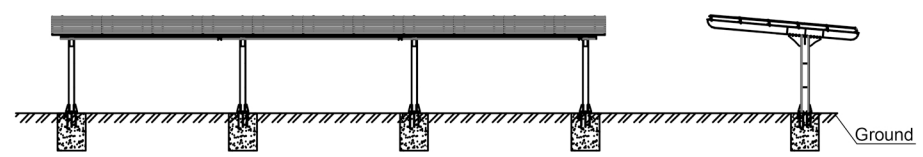
A

4  
Install the solar panel on the rail

4

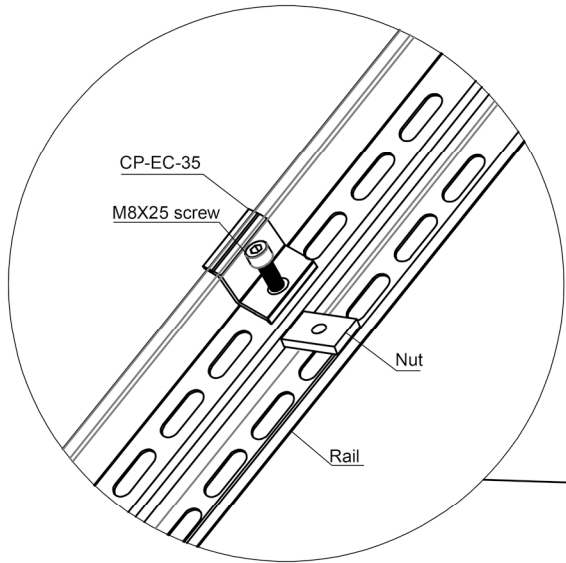
D

D



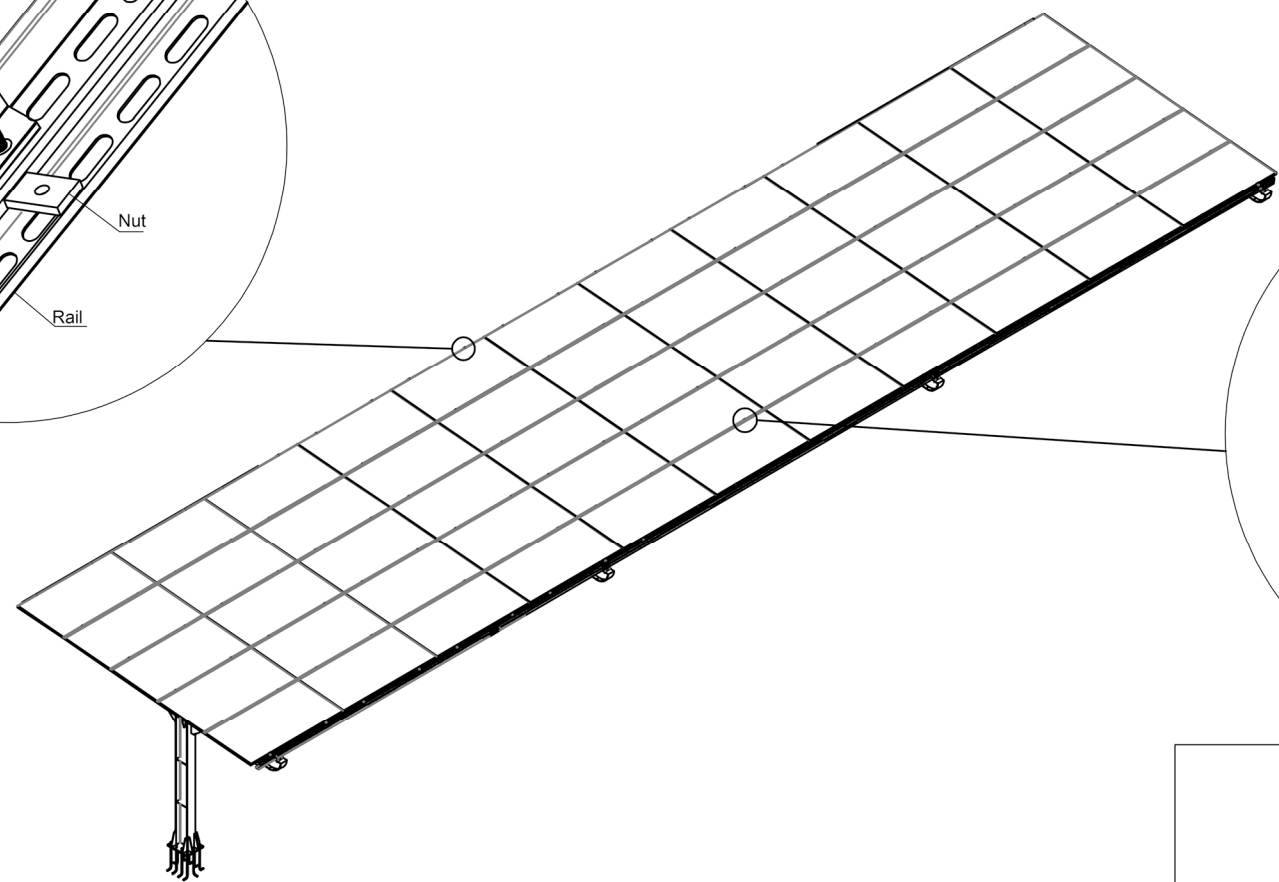
C

C



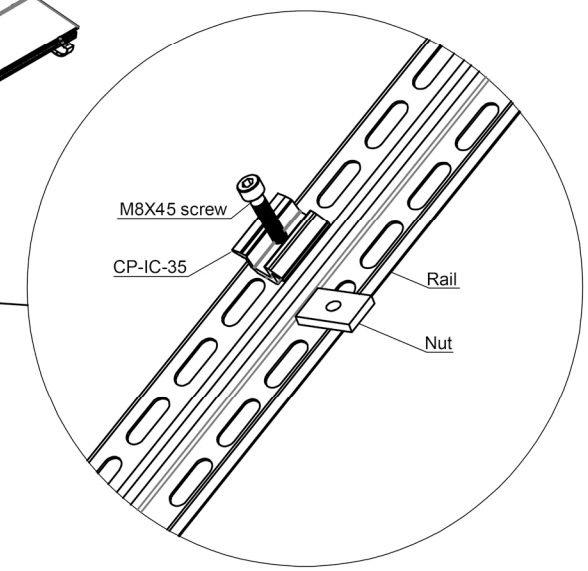
B

B



A

A



**CORIGY**  
Create Re-Energy

科锐欧(厦门)新能源科技有限公司  
xiamen corigy new energy technology CO.,LTD.  
TEL: 0592-6883200 E-mail: sales@corigy.com