

2024 NEW METAL ROOF MOUNT

Better Design, Better Support, Better Price

We respect your project and installation. Every single detail of this new solar metal roof mount has been considered and optimized.

- Rail structure has been optimized to enhance strength, and additional anti-sliding design for modules positioning stability.
- Unlike the traditional end clamp and mid clamp, the nut is fix the clamp which is more easy and safety to fix the panels.
- The mid clamp is self-standing by recessed spring and grounding clip. Universal for 30-40mm size solar modules.

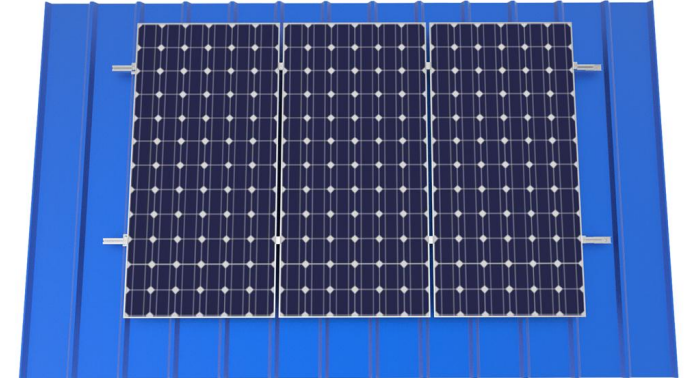
Every component has been fully optimized with better design, better support for easier faster installation experience. CORIGY new metal roof mount is a professional choice for your metal roof solar mounting.



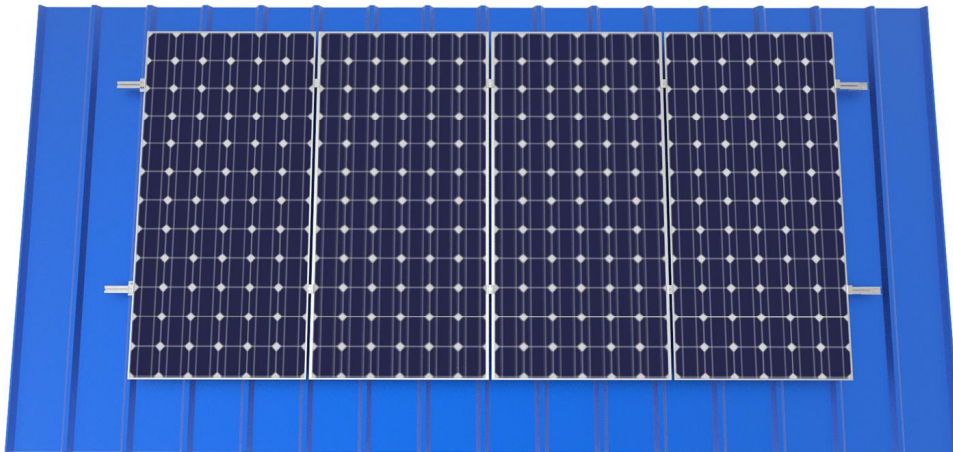
CP-1PS: 1 solar panels



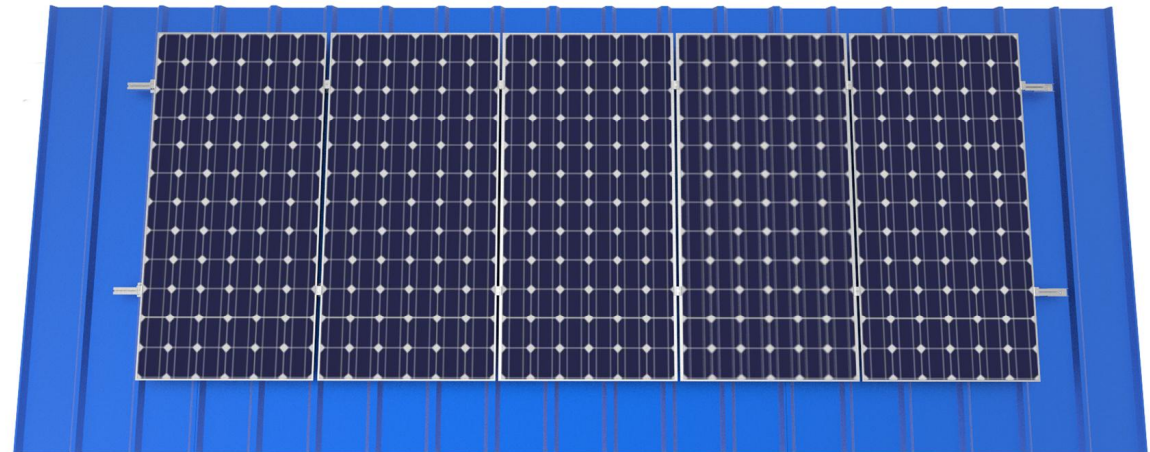
CP-2PS: 2 solar panels



CP-3PS: 3 solar panels



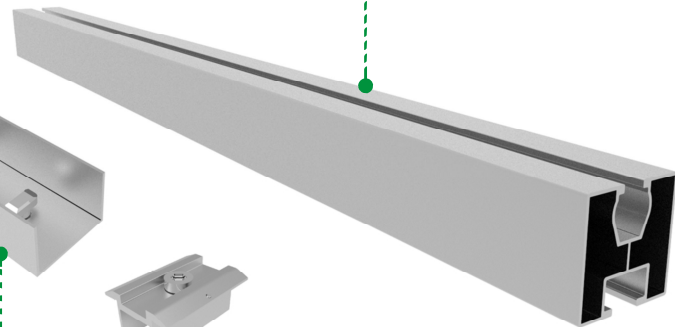
CP-4PS: 4 solar panels



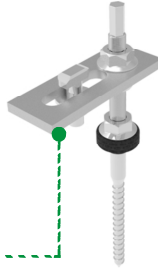
CP-5PS: 5 solar panels



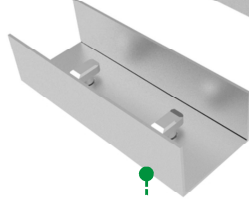
3 SMC007 40*40mm Aluminum Rail 620 mm



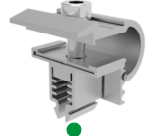
TRH15 Double thread screw 10×200 4



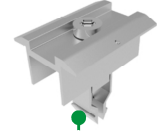
CP-RS-M-01 Rail Splice M 01 5



2 CP-IC-30/35 Adjustable End Clamp



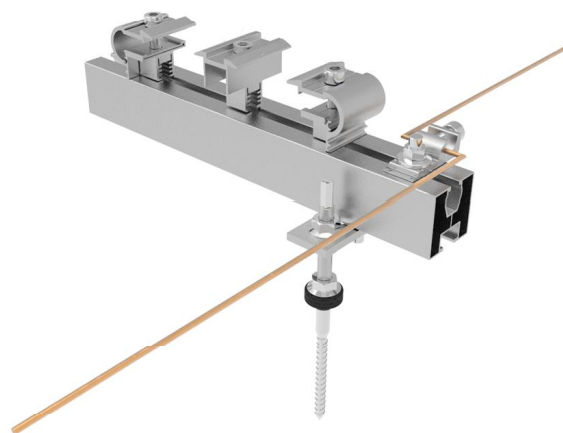
1 CP-IC-30/35 Adjustable Middle Clamp



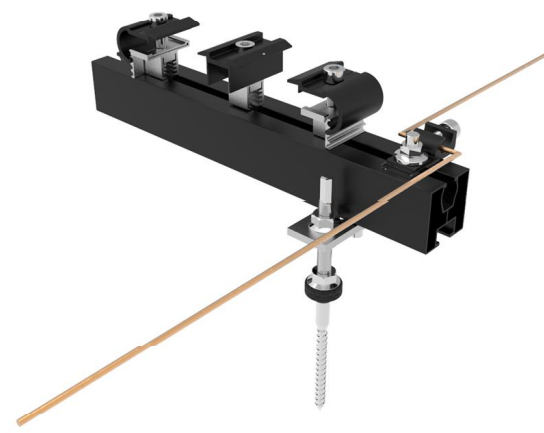
● These components are delivered by packaging (boxes) with specified specifications and quantities.

Item No.	CP-1PS	CP-2PS	CP-3PS	CP-4PS	CP-5PS
Number of panel	1 Panel	2 Panels	3 Panels	4 Panels	5 Panels
Layout of the solar panel	1×1	1×2	1×3	1×4	1×5
Area of the Structure	1.23×2.278m	2.46×2.278m	3.69×2.278m	4.92×2.278m	6.15×2.278m
Dimensions of solar panel	2278×1134×30/35mm				
Direction of Panel	Vertical				
Installation Angle	Parallel to the roof				
Material	AL-6005-T5 SUS304				
Color	Silver Anodizing,Black Anodizing				
Warranty	10 Years				
Packing Weight	3.01kg	5.73kg	8.45kg	11.17kg	13.89kg
Packing Size	830×170×55mm	830×170×95mm	830×170×135mm	830×170×175mm	830×170×215mm

Item No.	Image	CP-1PS	CP-2PS	CP-3PS	CP-4PS	CP-5PS
CP-IC-30/35		0	2	4	6	8
CP-EC-30/35		4	4	4	4	4
SMC007-620		4	8	12	16	20
TRH15		4	6	8	10	12
CP-RS-M-01		2	6	10	14	18



Silver Anodized



Black Anodized

● Black and silver colour are available